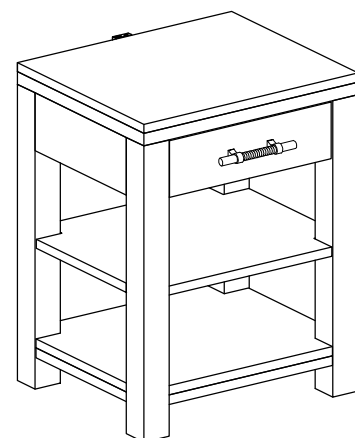


### Warning :

- Be sure to check all packing material carefully for small parts, which may have come loose inside the carton during shipment.
- To prevent possible scratches and damage, this furniture **MUST BE ASSEMBLED BY TWO PEOPLE** on a soft surface such as a blanket or carpet.

**Important Use Information:** We recommend using coasters, placemats and trivets when placing hot or cold containers on this item. It is also recommended to quickly cleanup any spills to minimize exposure to moisture. Doing so will prolong the life and look of the item for many years.

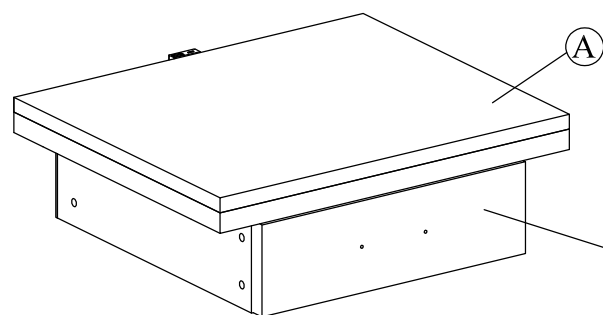


30739 / 30769  
1- Drawer Nightstand

### Components and Hardware List

Top Assembly	Leg Assembly (Left)	Leg Assembly (Right)	Shelf	Bottom Shelf	Shelf Pin	
1 pc.	1 pc.	1 pc.	1 pc.	1 pc.	4 pcs.	
Wood Screw Ø3.5 x 15mm 4 pcs.	Allen Head Bolt M6-32 x 40mm 8 pcs.	Allen Head Bolt M6-32 x 50mm 4 pcs.	Lock Washer Ø9 x Ø13mm 12 pcs.	Flat Washer Ø6 x Ø13mm 12 pcs.	Allen Key 4 x 110mm 1 pc.	USB Adapter 1 pc.
STEP 1:					Furniture Tipping Restraint Kit 1 pc.	Tool Required (not provided) Phillips Screwdriver 

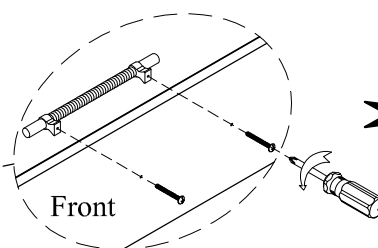
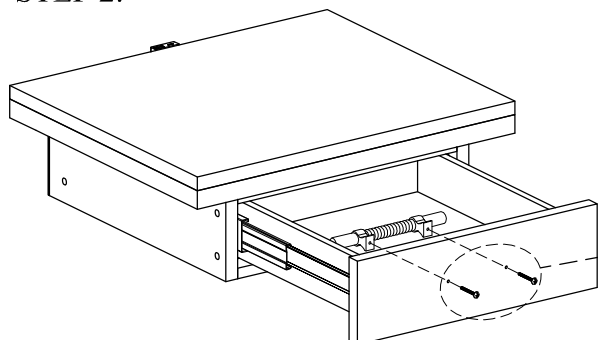
### STEP 1:



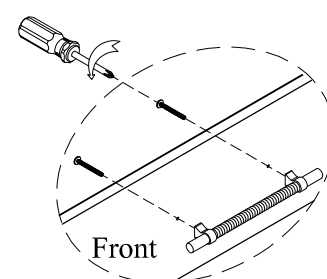
#### Attention :

- USB plug attached inside the drawer box
- Plug it into the USB to use

### STEP 2:

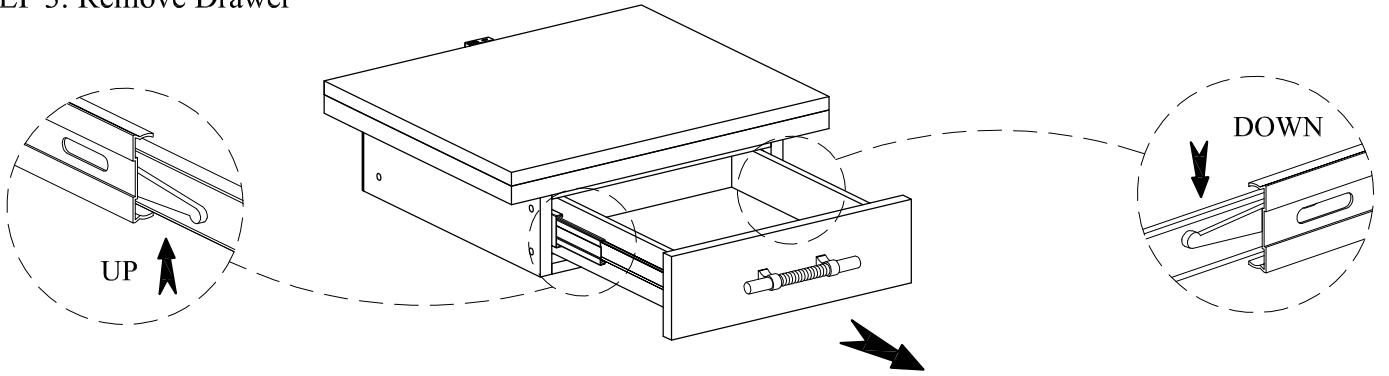


Remove Handle from  
inside drawer

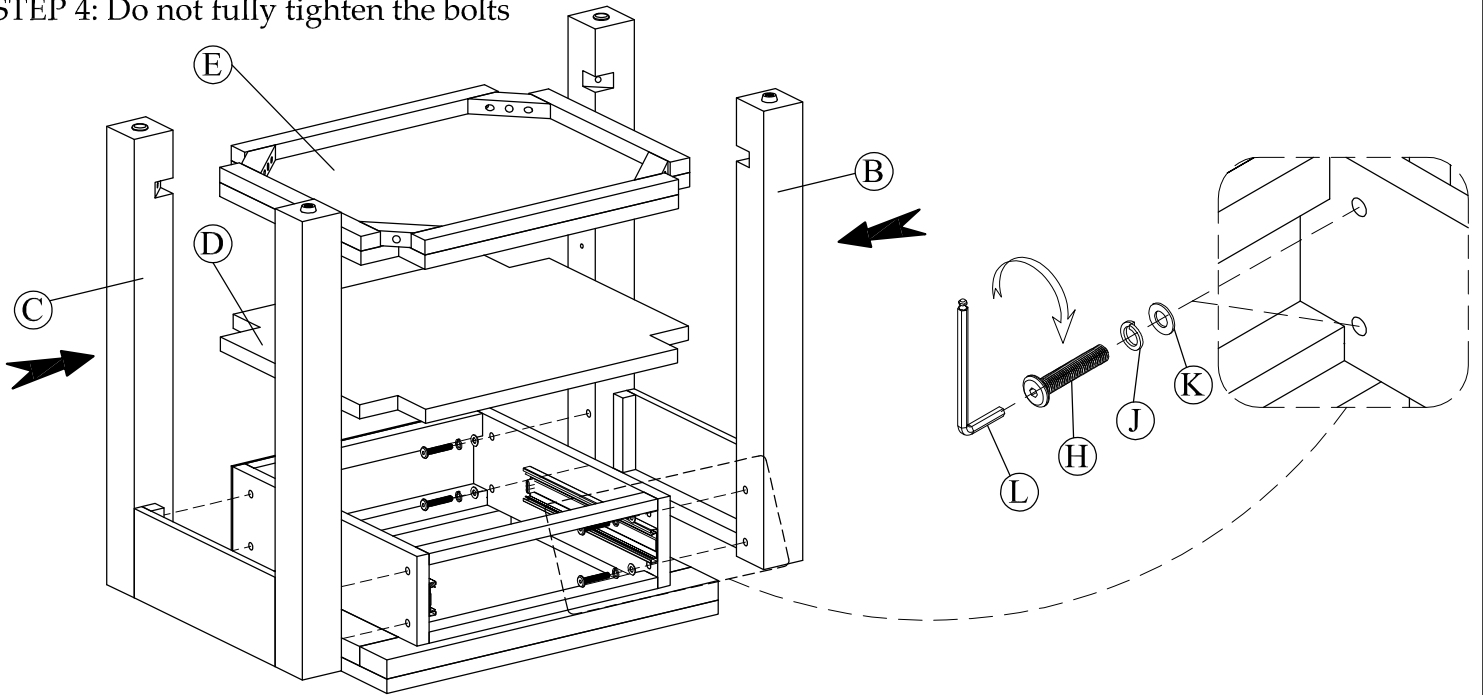


Reattach Handle to  
front of drawer

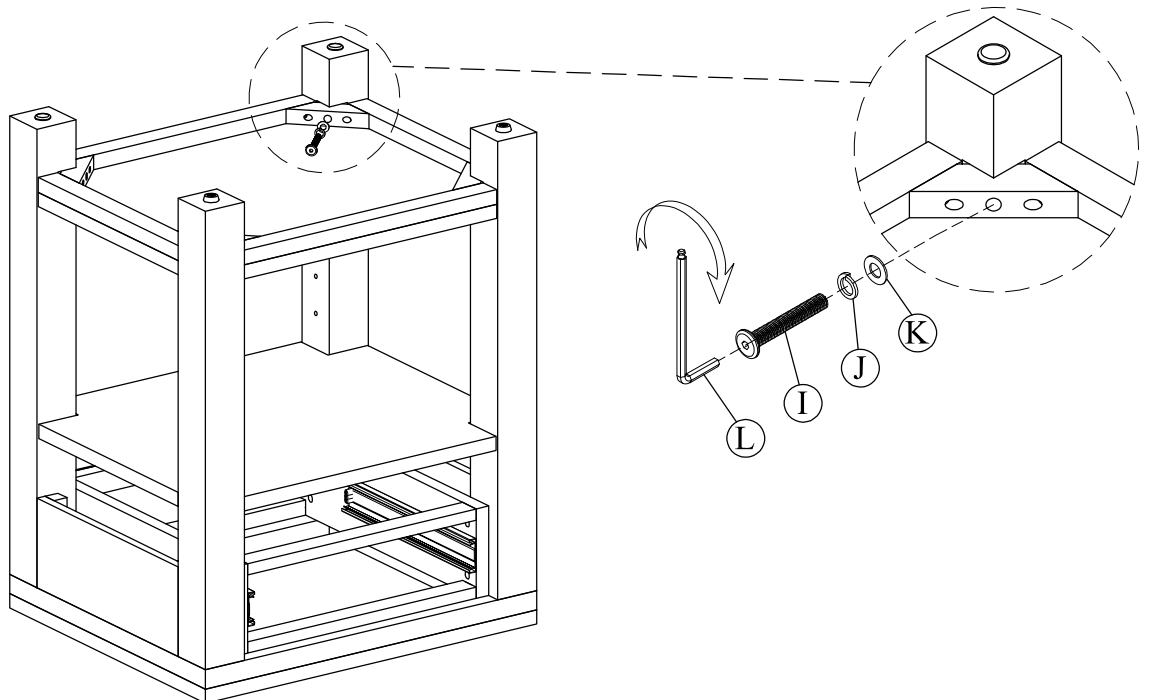
STEP 3: Remove Drawer



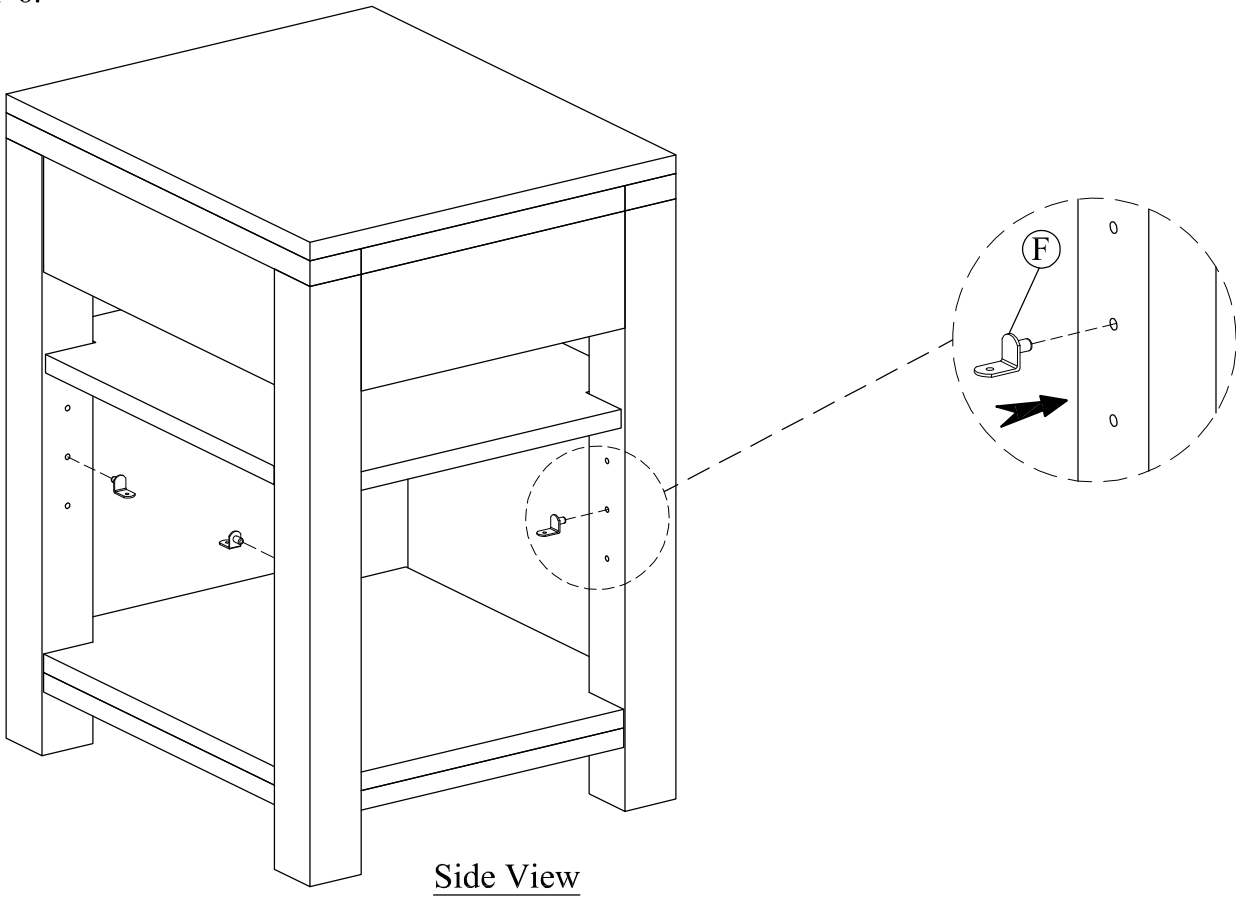
STEP 4: Do not fully tighten the bolts



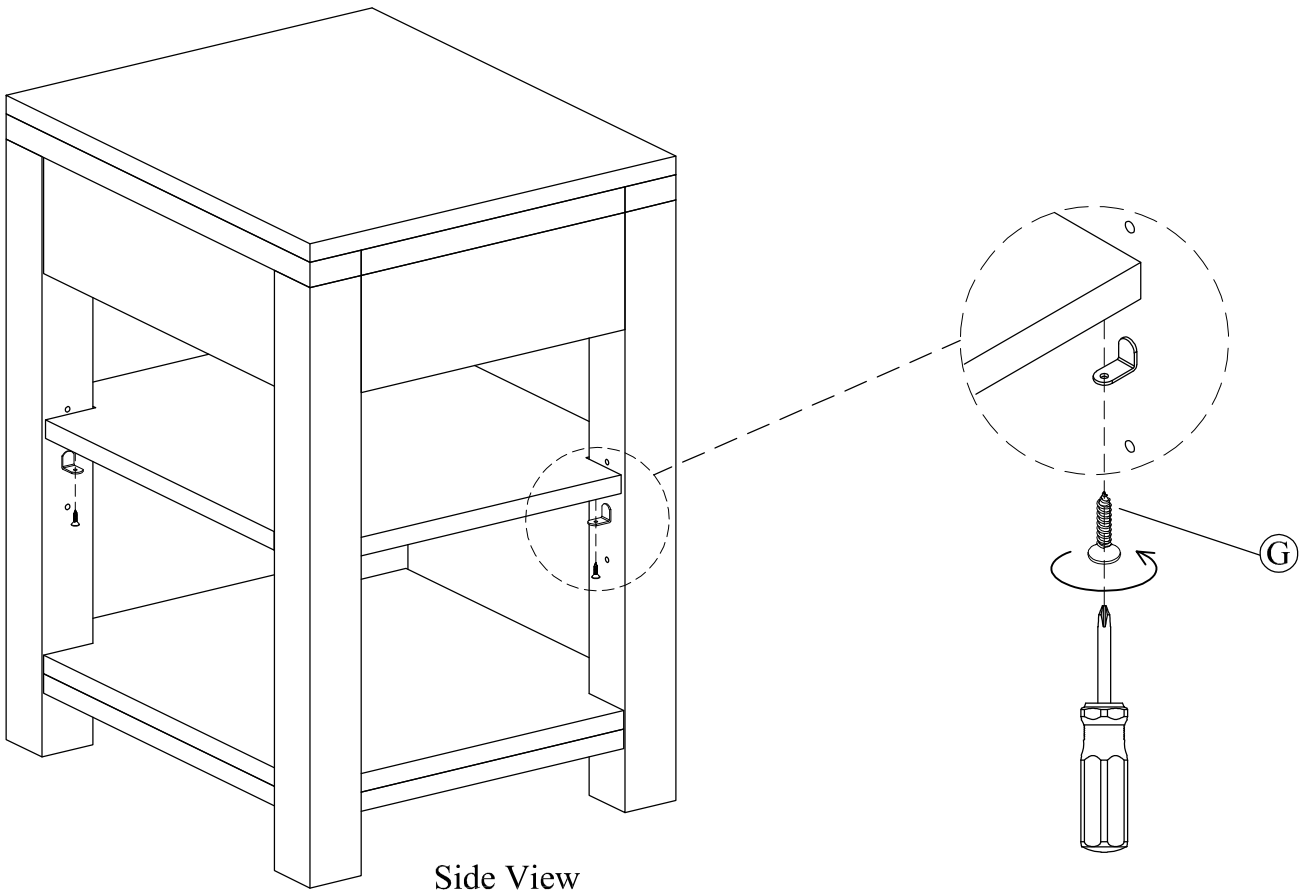
STEP 5: Using the Allen key to tighten all bolts



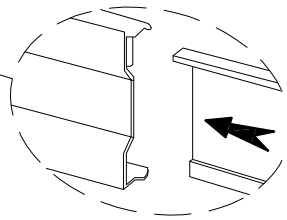
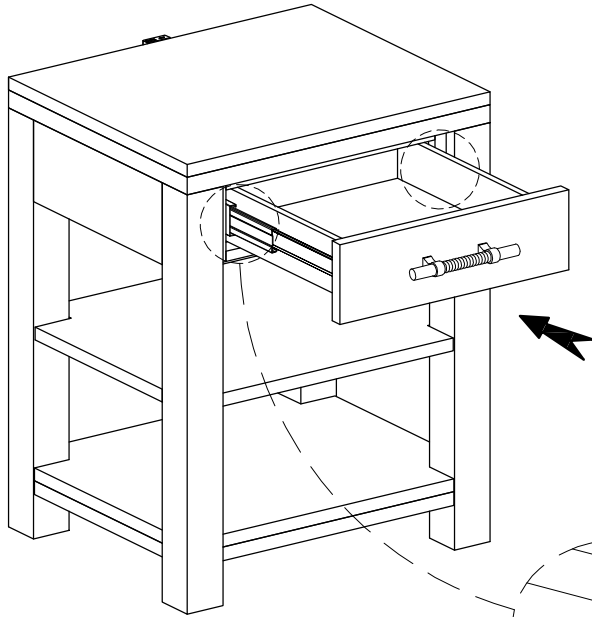
STEP 6:



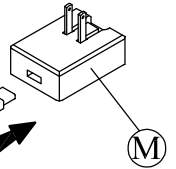
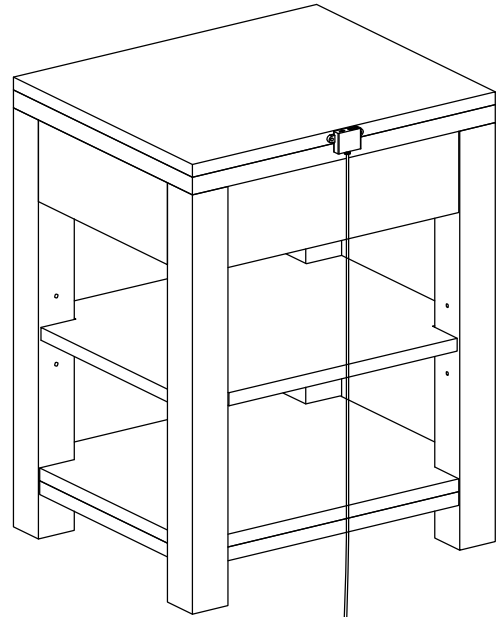
STEP 7:



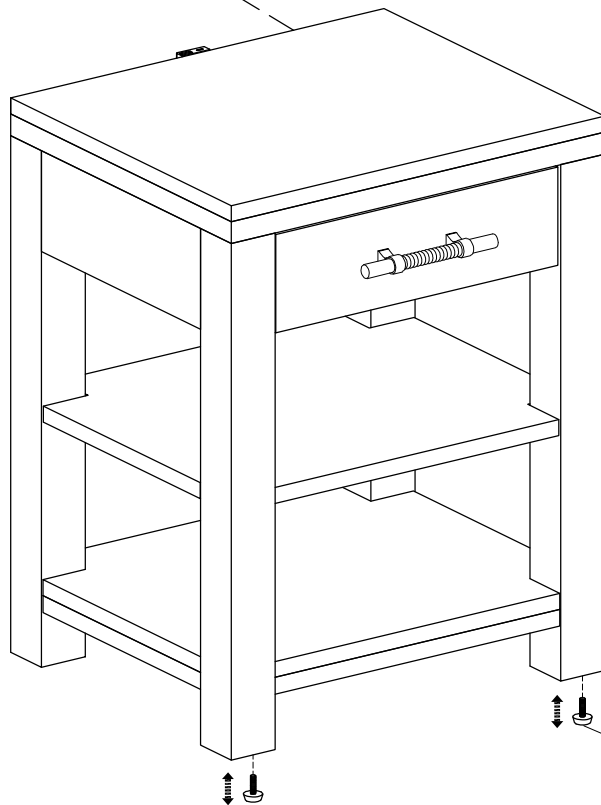
STEP 8: Reattach Drawer



STEP 9:



STEP 10:



Adjustable Leveler  
2 pcs

For product and personal safety, a Furniture Tipping Restraint kit has been included with this unit which can help to minimize the risk of the unit accidentally tipping forward, if used and properly installed per the manufacturer's instructions.